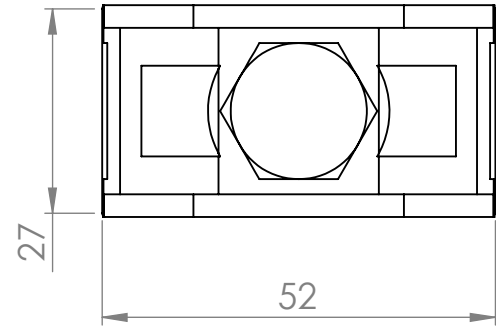


6 5 4 3 2 1

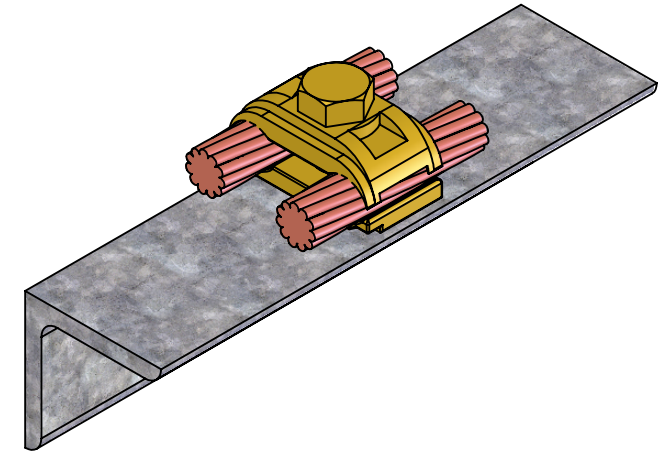
D

D



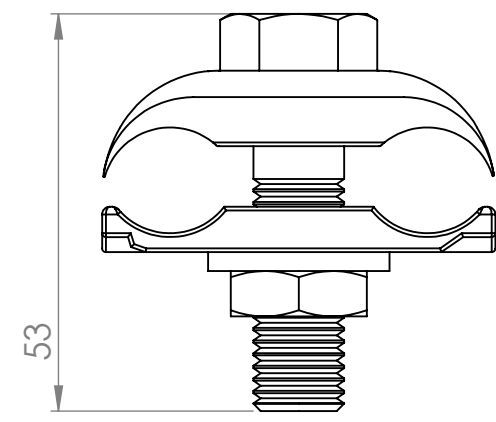
C

C



B

B



A

A

6 5 4 3 2 1

UNLESS OTHERWISE SPECIFIED: DIMENSIONS ARE IN MILLIMETERS SURFACE FINISH: TOLERANCES: DEBURR AND BREAK SHARP EDGES				CAJHIZAT SYSTEM ZAMIN Co. Earthing , Lightning and Cathodic Protection	
Comments:	DRAWN	DATE	NAME	TITLE: 2-Way Clamp (To Structure)	
	CHK'D	04/19/2022	M.ziyatabar		
	APPV'D	04/19/2022	A.Parsaei		
	MATERIAL: CZ 112			DWG NO. 2WC	A4
WEIGHT:			SCALE:1:1	SHEET 1 OF 1	