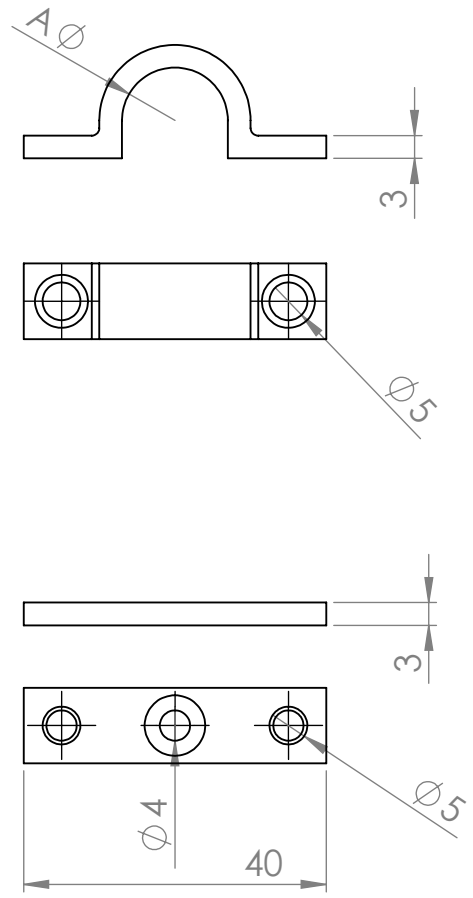
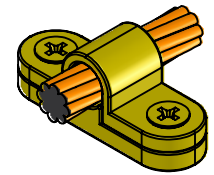



6 5 4 3 2 1



Ord. Code	A
DWCC16	5
DWCC25	6.2
DWCC35	7.5
DWCC50	9
DWCC70	10.5
DWCC95	12.5
DWCC120	14
DWCC150	15.5
DWCC185	17.5
DWCC240	20.2
DWCC300	22.2



UNLESS OTHERWISE SPECIFIED:
 DIMENSIONS ARE IN MILLIMETERS
 SURFACE FINISH:
 TOLERANCES:
 DEBURR AND BREAK
 SHARP EDGES



CAJHIZAT SYSTEM ZAMIN Co.
 Earthing , Lightning and Cathodic Protection

Comments:

	DATE	NAME	TITLE:
DRAWN	04/10/2022	M.ziyatabar	Wire To Wall Clamp
CHK'D	04/10/2022	A.Parsaei	
APP'V'D	04/10/2022	N.Parsaei	

MATERIAL:	DWG NO.
CZ112	DWCC-00

WEIGHT: SCALE:2:1 SHEET 1 OF 1

D
C
B
A

D
C
B
A

6 5 4 3 2 1