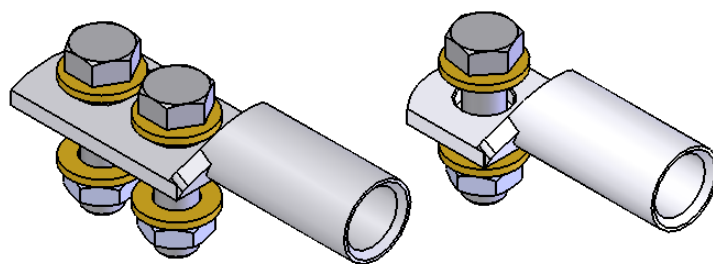
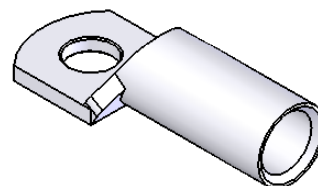
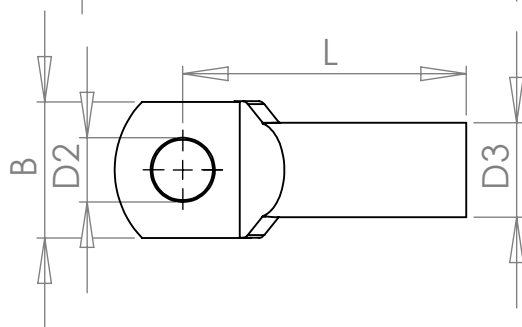
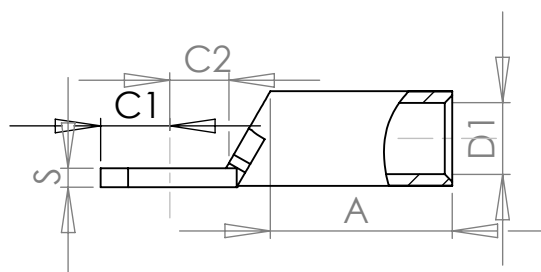


cross section (mm)	bolt	DIMENSIONS _(mm)									PCS
		D2	D1	D3	S	A	B	C1	C2	L	
6	M5	5.3	4	5.5	1.5	9.5	9	6.5	6.5	19	1000
10	M5	5.3	4.5	6	1.5	11.5	9	7	7	21	800
16	M6	6.4	5.5	7.5	2	12.5	11.5	7.5	7.5	24	400
25	M8	8.5	7	9.5	2.6	15.5	13.5	8.5	8.5	27.5	250
35	M8	8.5	8.5	11	2.5	16.5	16	9.5	9.5	32	150
35	M10	10.5									
50	M10	10.5	10	14	3	22	19	11	11	37.5	100
70	M10	10.5	11.5	14.5	3	25	21	11	11	40	70
95	M10	10.5	13.5	16.5	3	22	24	12.5	12.5	44	50
95	M12	13									
120	M12	13	14.5	18	3.5	24	26.5	14	14	49	40
150	M12	13	16.5	21	4.5	27	30.5	15.5	15.5	55	30
185	M12	13	18.5	23	4.5	31	34.5	16	16	61	20
240	M12	13	21	28	5	35	37.5	16.5	16.5	68	20
300	M16	16.5	23.5	28.5	5	38	42.5	20.5	20.5	45	10



UNLESS OTHERWISE SPECIFIED:
DIMENSIONS ARE IN MILLIMETERS
SURFACE FINISH:
TOLERANCES: 0.1mm
LINEAR:
ANGULAR:

FINISH:

TIN COATED

REVISION 0

TAJHIZAT SYSTEM ZAMINCo.

	NAME	SIGNATURE	DATE		
DRAWN	NAMI				
CHK'D	VATANI		1389/01/15		
APPV'D	PARSAE				
MFG					
Q.A					
				MATERIAL:	
				COPPER	

TITLE:

cable lug

DWG NO.

MKL00

A4

SCALE:1:2

SHEET 1 OF 1