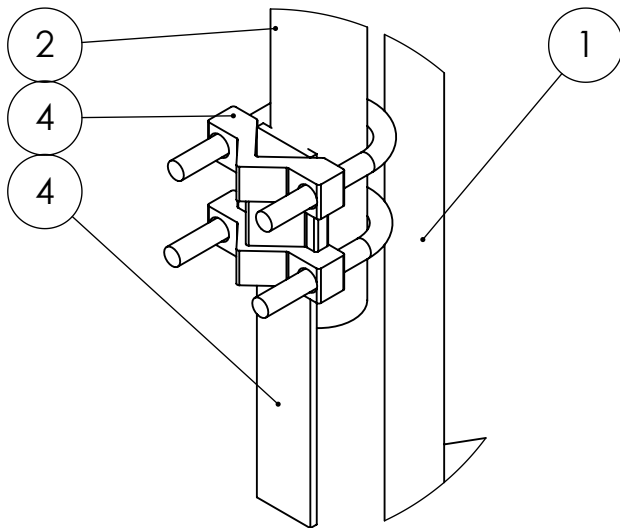
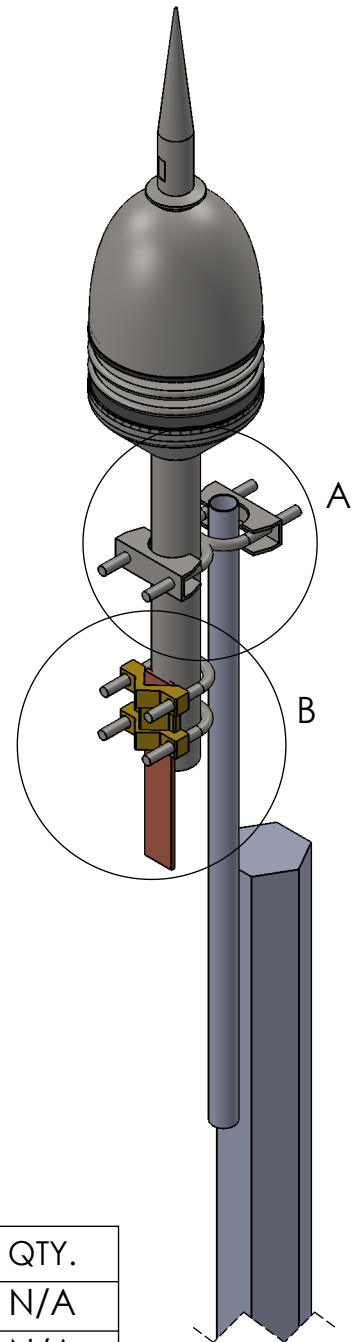


DETAIL A  
SCALE 2 : 5



DETAIL B  
SCALE 2 : 5



ITEM NO.	PART NUMBER	DESCRIPTION	QTY.
1	Tower/Pole/Mast	Top part of Mast	N/A
2	SchirTECT S-A E.S.E	Lightning Arrester	N/A
3	LATC Clamp	E.S.E To Pole Clamp	N/A
4	ESEC Clamp	E.S.E to Conductor Clamp	N/A

UNLESS OTHERWISE SPECIFIED: DIMENSIONS ARE IN MILLIMETERS						DO NOT SCALE DRAWING		REVISION 00		
				<b>TAJHIZAT SYSTEM ZAMIN</b>						
				TITLE: E.S.E Installation Detail						
				MATERIAL: LPS				DWG. NO. ID-DW-0132		A4
NAME	SIGNATURE	DATE	FINAL							
DRAWN SMZ	SMZ	0799	X							
CHK'D B.R	B.R	0799								
APPV'D N.P	N.P	0799								