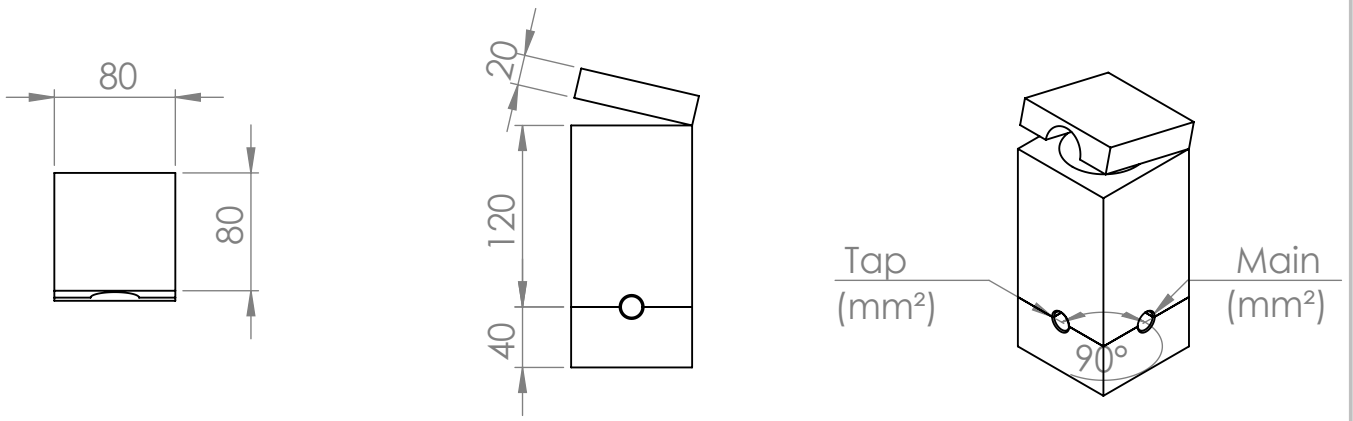
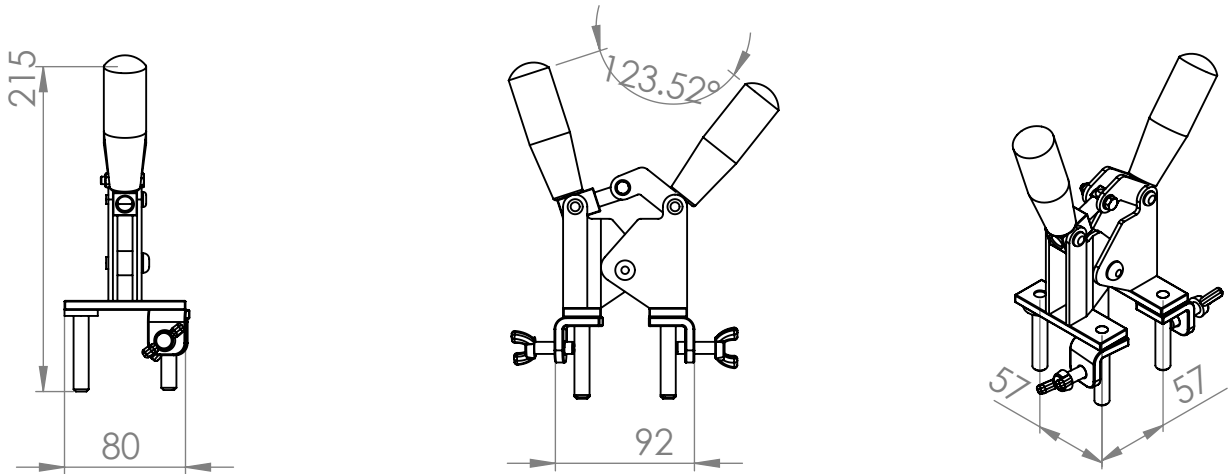


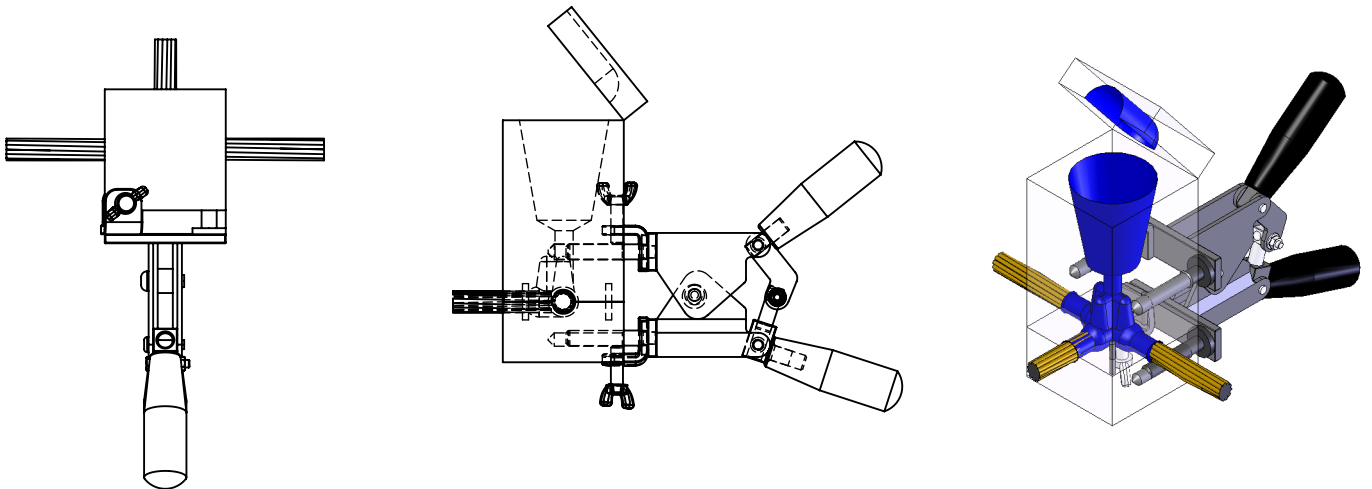
Graphite Mould Body



Mould Handle Clamp



Mould Assembly



UNLESS OTHERWISE SPECIFIED:
DIMENSIONS ARE IN MILLIMETERS



DO NOT SCALE DRAWING

REVISION A0

TAJHIZAT SYSTEM ZAMIN

	NAME	SIGNATURE	DATE		FINAL
DRAWN	SMZ	SMZ	699		
CHK'D	B.R	B.R	699		
APPV'D	N.P	N.P	699		
				MATERIAL:	Graphite

TITLE:	Exothermic Welding Mould Type TA	
Ord. Code.	PO1714A-EL-DWG-0011	A4