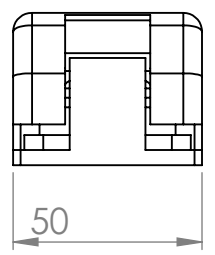
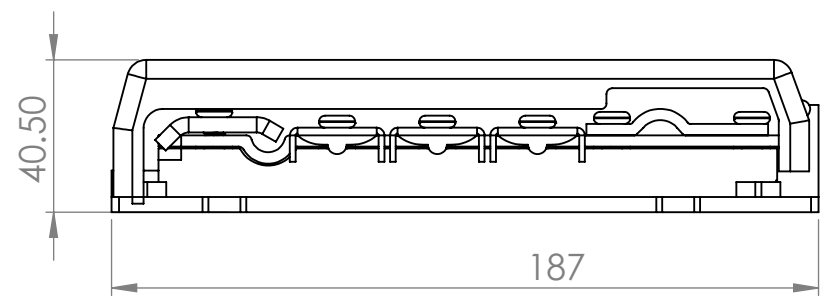
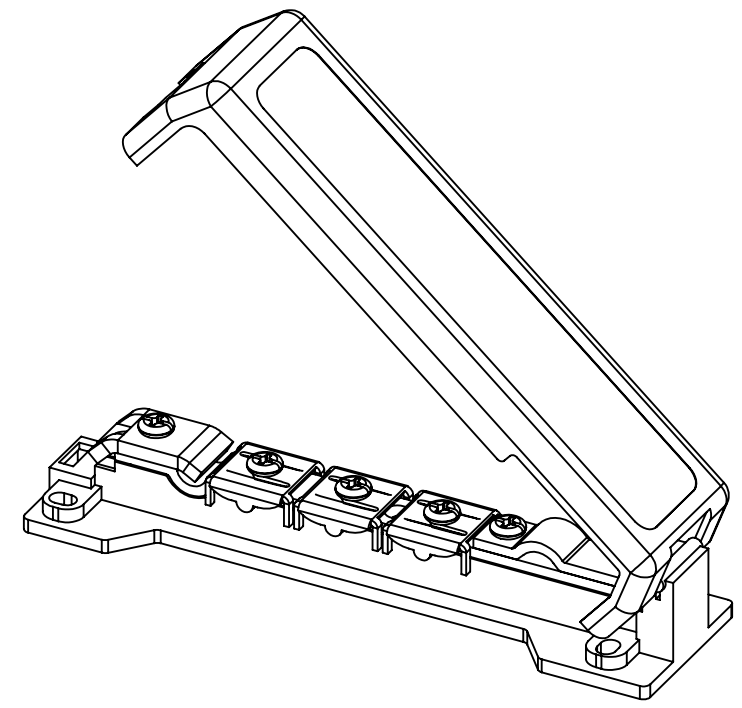
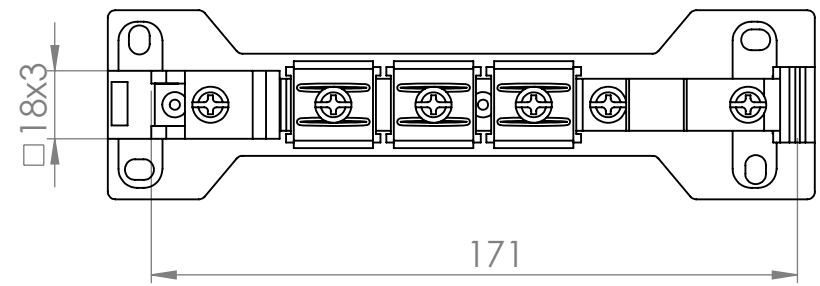


6 5 4 3 2 1

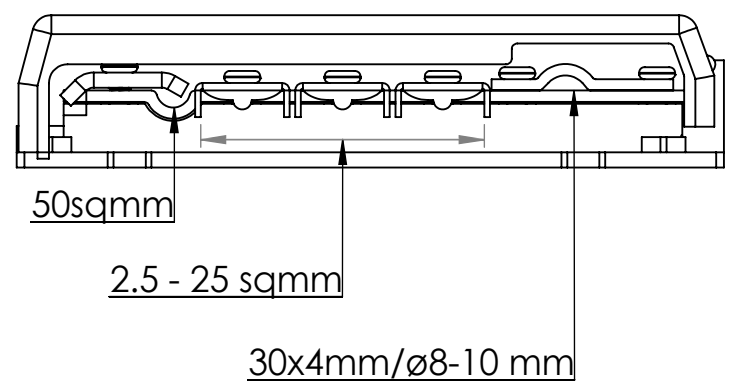
D



C



B



A

6 5 4 3 2 1

D

C

B

A

UNLESS OTHERWISE SPECIFIED:
DIMENSIONS ARE IN MILLIMETERS
SURFACE FINISH:
TOLERANCES:
DEBURR AND BREAK
SHARP EDGES



CAJHIZAC SYSTEM ZAMIN Co.
Earthing , Lightning and Cathodic Protection

Comments:	DATE	NAME	TITLE: Equipotential Bonding Bar
	DRAWN 01/31/2022	M.Ziyatabar	
	CHK'D 01/31/2022	A.Parsaei	
	APPV'D 02/01/2022	N.Parsaei	
MATERIAL:	DWG NO.		EBB
WEIGHT:	SCALE:1:2	SHEET 1 OF 1	

A4