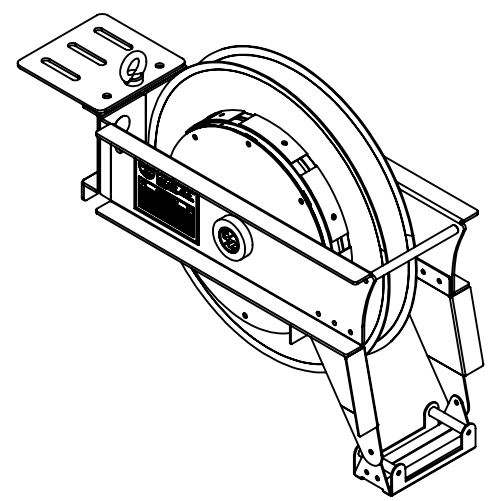
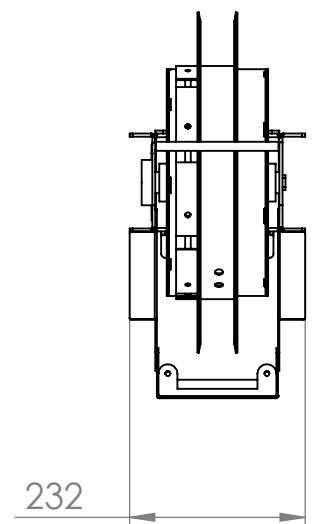
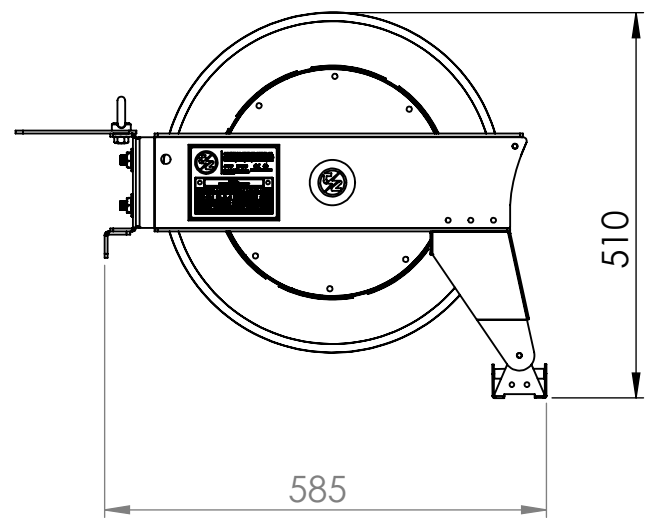


6 5 4 3 2 1

D

D



C


C

B

B

A

A

UNLESS OTHERWISE SPECIFIED: DIMENSIONS ARE IN MILLIMETERS		DEBURR AND BREAK SHARP EDGES		 <b>CAJHIZAT SYSTEM ZAMIN Co.</b> Earthing , Lightning and Cathodic Protection			
TOLERANCES: According to DIN ISO 2768 Unless Otherwise Specified				<b>R.E.A Overall Dimension</b>			
Comments:		NAME	DATE			TITLE:	
	DRAWN	M.Ziyatabar					
	CHK'D	A.Parsaei					
	APPV'D	N.Parsaei					
MATERIAL:		AISI 304		DWG NO.			
				<b>REA-DIM-05</b>			
WEIGHT:				SCALE:1:10			
				SHEET 1 OF 1			

6 5 4 3 2 1