

1 2 3 4 5 6 7 8 9 10 11 12 13 14 15 16

A

B

C

D

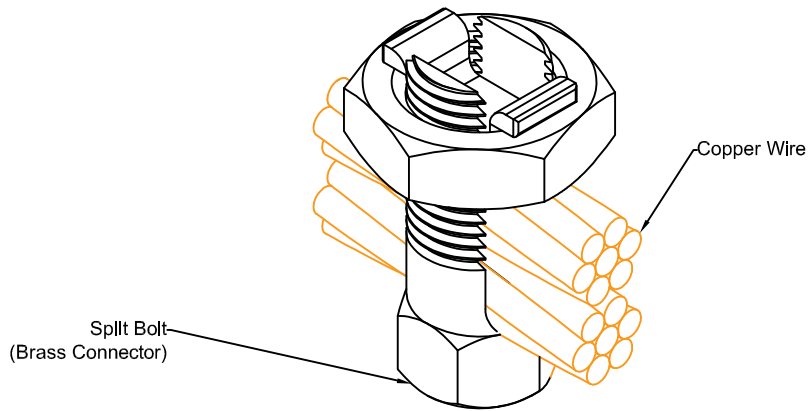
E

F

G

H

**GENERAL NOTE**



Parallel Connection With Split Bolt

04						
03						
02						
01	10/03/21	ISSUED FOR APPROVAL	M.Zibr	A.Pray	N.Pray	
00	5/03/21	ISSUED FOR COMMENT	M.Zibr	A.Pray	N.Pray	
REV.	ISSUE DATE	DESCRIPTION	PREPARED	CHECKED	APPROVED	Remarks

This drawing is the property of TSZ Co. including all patented and patentable features and / or confidential information and its use is conditioned upon the user's agreement not to reproduce the drawing in whole or in part nor the material described thereon, not or use the drawing for any purpose other than as specifically permitted in writing by TSZ Co.



**CAJHIZAC  
SYSTEM  
ZAMIN CO.**

PROJECT:

UNIT TITLE:

DRAWING TITLE:  
**TYPICAL PARALLEL SPLIT BOLT DETAILS**

DRAWING NO.	REV.	SIZE	STATUS	SCALE	SHEET
TED-P-SB-IN-DWG-001	01	A3	AP	N.T.S.C	01 OF 1

1 2 3 4 5 6 7 8 9 10 11 12 13 14 15 16