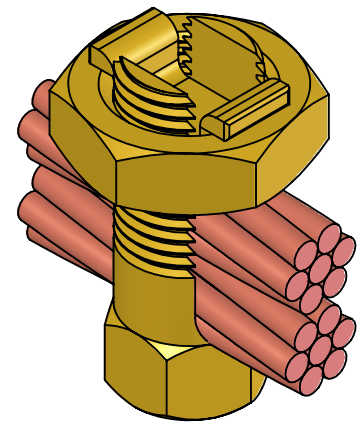
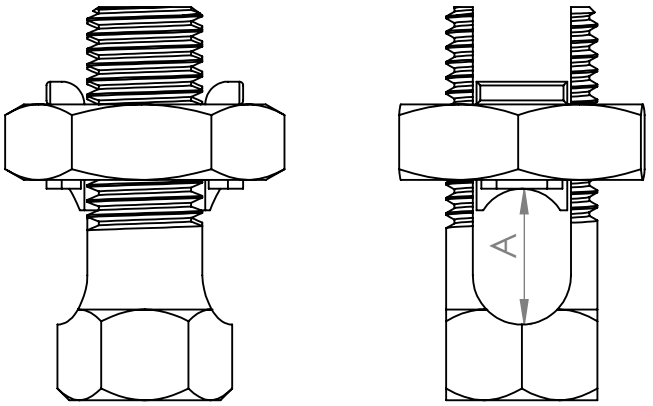


6 5 4 3 2 1

D

D

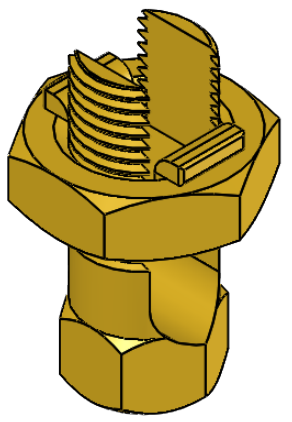


C

C

B

B



A

A

Ord. Code	Clamping Range	A (mm)
SB 35	16-35 sqmm	10-15
SB70	50-70 sqmm	18-21
SB120	95-120 sqmm	25-28

UNLESS OTHERWISE SPECIFIED:
 DIMENSIONS ARE IN MILLIMETERS
 SURFACE FINISH:
 TOLERANCES:
 DEBURR AND BREAK
 SHARP EDGES



CAJHIZAC SYSTEM ZAMIN Co.
 Earthing , Lightning and Cathodic Protection

Comments:	DRAWN	03/29/2022	M.Ziyatabar	TITLE: Brass Connector (Split Bolt)
	CHK'D	03/29/2022	A.Parsaei	
	APPV'D	03/29/2022	N.Parsaei	
	MATERIAL: CZ112 Copper Alloy			
WEIGHT:			SCALE:1:1	A4
			SHEET 1 OF 1	

6 5 4 3 2 1